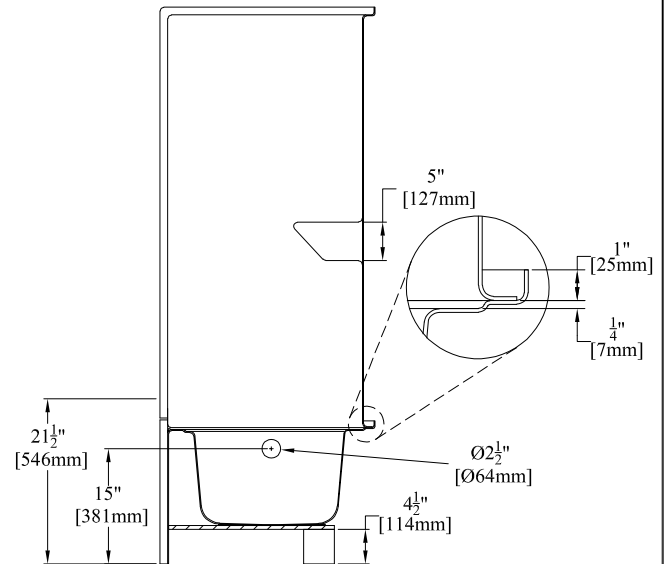
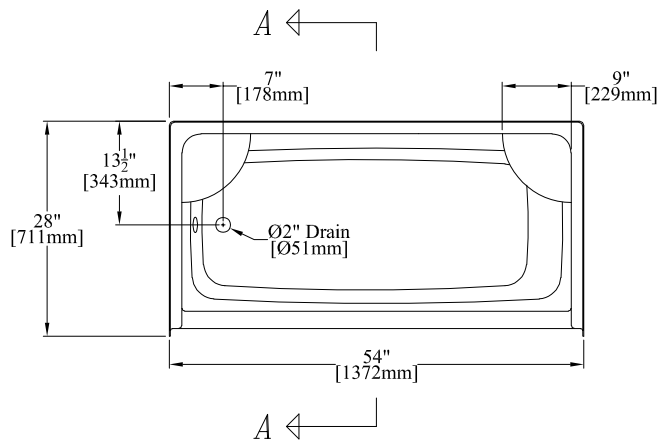


**ELEVATION**



**SECTION "A-A"**



**PLAN**

54" [1371mm] 3-Piece Tub/Shower  
 w/ Molded Shelving

Left Hand Version (9654LX) Shown

**PRODUCT SPECIFICATIONS:**

- \* Product complies with NAHB, HUD UM-73A, and ANSI-Z124.1.2.
- \* Reinforced & slip resistant floor.
- \* Integral 1" [25mm] nailing flange.
- \* Factory drilled 2-1/2" overflow.
- \* Sufficient drain clearance to accommodate above the floor plumbing.
- \* Molded shelving in the back corners of the unit.
- \* Door Opening: W-50 1/2" [1283mm]  
 H-53 1/2" [1359mm]
- \* Bathwell Dimensions (At Top): W-48 1/2" [1232mm]  
 D-20 1/4" [514mm]  
 H-12" [305mm]
- \* Bathwell Dimensions (At Bottom): W-42 1/2" [1080mm]  
 D-16" [406mm]
- \* Bathwell Capacity (At Overflow): 33 gal. [125L]
- \* Water Level (At Overflow): 8 1/2" [216mm]
- \* Available without an overflow model number becomes (9654LXM or 9654RXM)
- \* All dimensions +/- 1/2" [12.8mm]
- \* Clarion Bathware reserves the right to change design and/or dimensions.
- \* Dimensions are the same for RE, MP, and all other versions of this model.

**9654LX or 9654RX**

**54" [1371mm] 3-Piece Tub/Shower w/ Molded Shelving**

**Clarion**  
 BATHWARE  
 44 Amsler Ave.  
 Shippensburg, PA 16254

Phone: (814) 226-5374  
 Toll Free: (800) 576-9228  
 Fax: (814) 226-0730  
 www.clarionbathware.com

Signatures For Approval:

Customer: \_\_\_\_\_  
 Arch./Engr: \_\_\_\_\_

Date: \_\_\_\_\_

Quote #: \_\_\_\_\_  
 Job Name: \_\_\_\_\_

Dwg. #  
 9654LX or RX  
 -CUT

Dwg. By: JDH  
 DATE: 9/32/2020

**\*\*\* IMPORTANT NOTICE \*\*\***

Clarion Bathware reserves the right to change the design and/or dimensions of its products at any time. This drawing may have been updated since this publication was issued. Before placing an order for any product, refer to our website at [www.clarionbathware.com](http://www.clarionbathware.com) to obtain the most current drawings for any products that you wish to purchase. Compare the date of revision of the drawing that you have with the one on the drawing on our website. If you do not have internet access, please call your sales representative or Clarion Bathware's sales department at 1-800-576-9228.